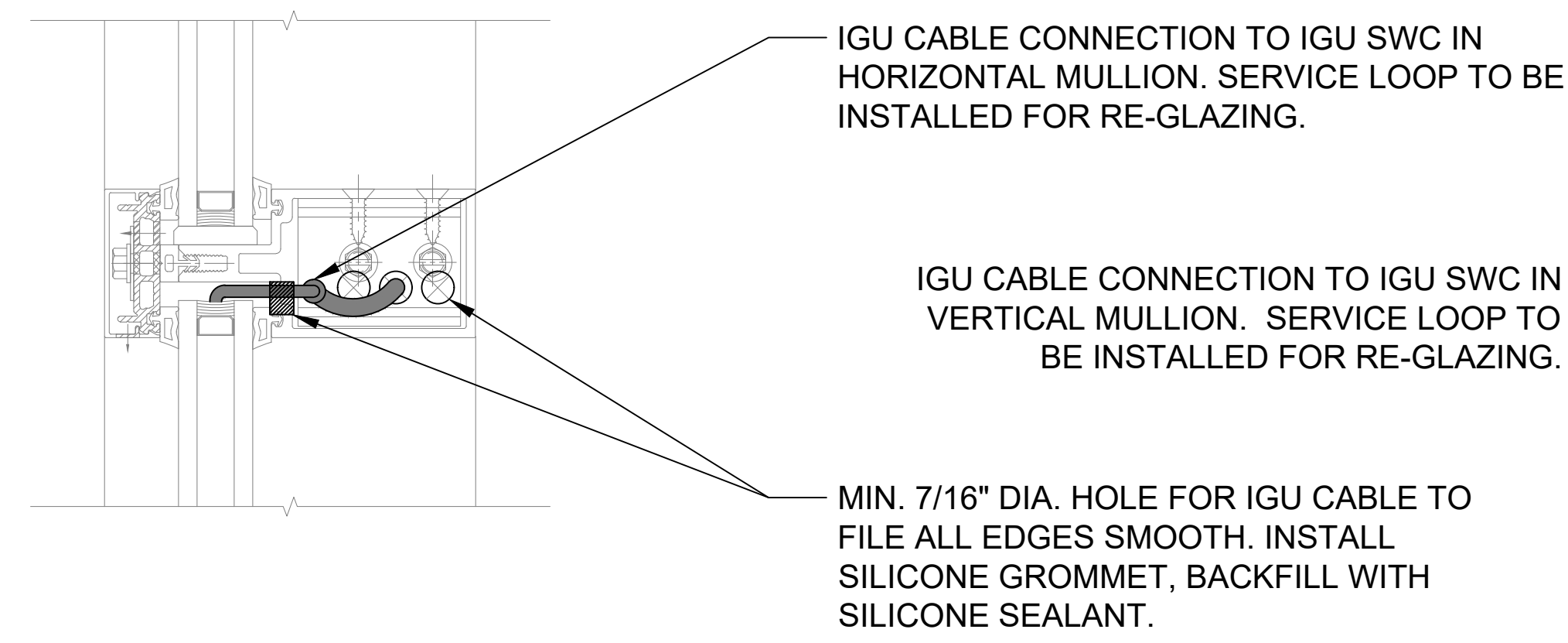


IGU CABLE CONNECTION TO IGU SWC IN HORIZONTAL MULLION. SERVICE LOOP TO BE INSTALLED FOR RE-GLAZING.

MIN. 7/16" DIA. HOLE FOR IGU CABLE TO FILE ALL EDGES SMOOTH. INSTALL SILICONE GROMMET, BACKFILL WITH SILICONE SEALANT.

**DETAIL 1**  
HEAD

- NOTES:
1. INSTALLER TO PROVIDE GROMMETS AT ALL FRAME PENETRATIONS WHERE POSSIBLE TO AVOID CABLE DAMAGE.
  2. INSTALLER TO LABEL IGU CABLES WITH IGU NAME TO WHICH IT IS CONNECTED.
  3. WHEN GLAZING POCKET CANNOT ACCOMMODATE IGU/SWC, INCORPORATE SERVICE LOOP INTO IGU CABLING. MAKE CONNECTION TO SWC AS YOU ARE GLAZING AND PUSH CONNECTOR THROUGH HOLE AND INTO MULLION.
  4. NO WIRE ROUTING IN SILL.

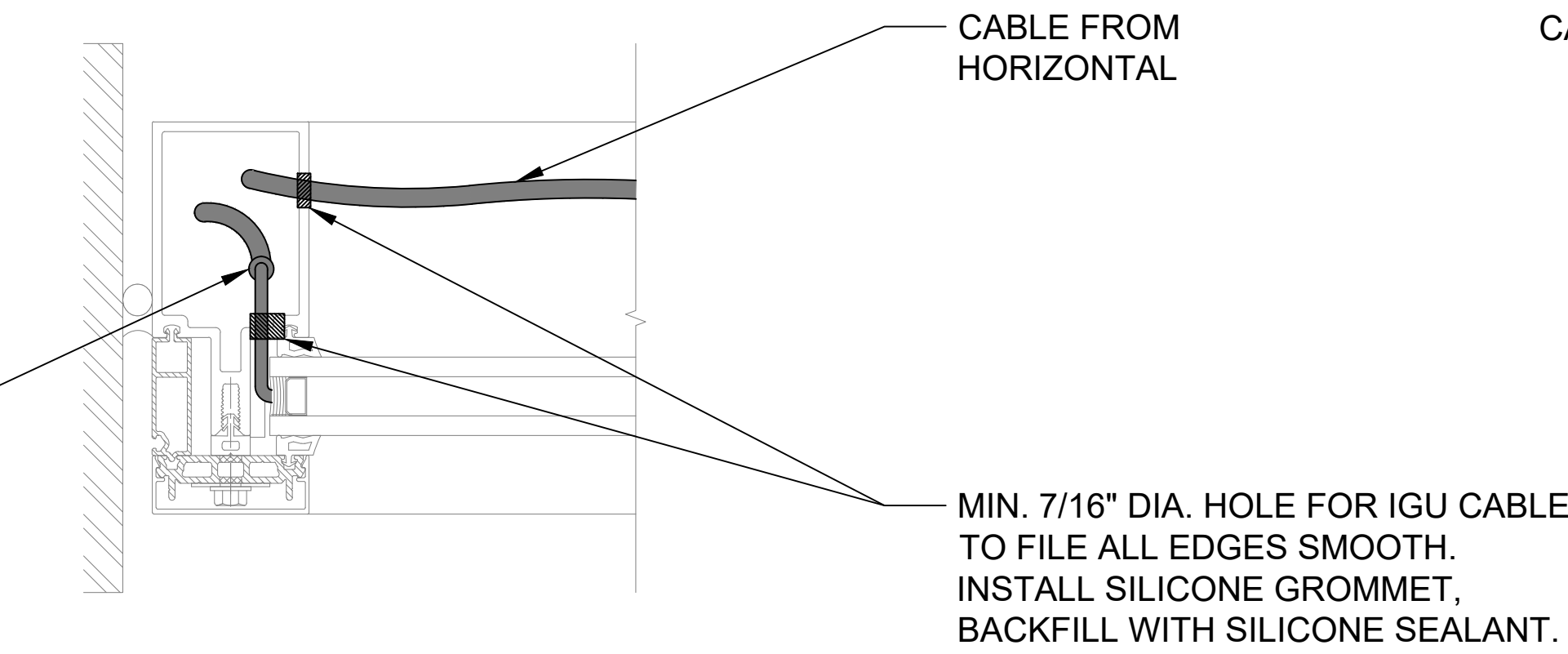


IGU CABLE CONNECTION TO IGU SWC IN HORIZONTAL MULLION. SERVICE LOOP TO BE INSTALLED FOR RE-GLAZING.

IGU CABLE CONNECTION TO IGU SWC IN VERTICAL MULLION. SERVICE LOOP TO BE INSTALLED FOR RE-GLAZING.

MIN. 7/16" DIA. HOLE FOR IGU CABLE TO FILE ALL EDGES SMOOTH. INSTALL SILICONE GROMMET, BACKFILL WITH SILICONE SEALANT.

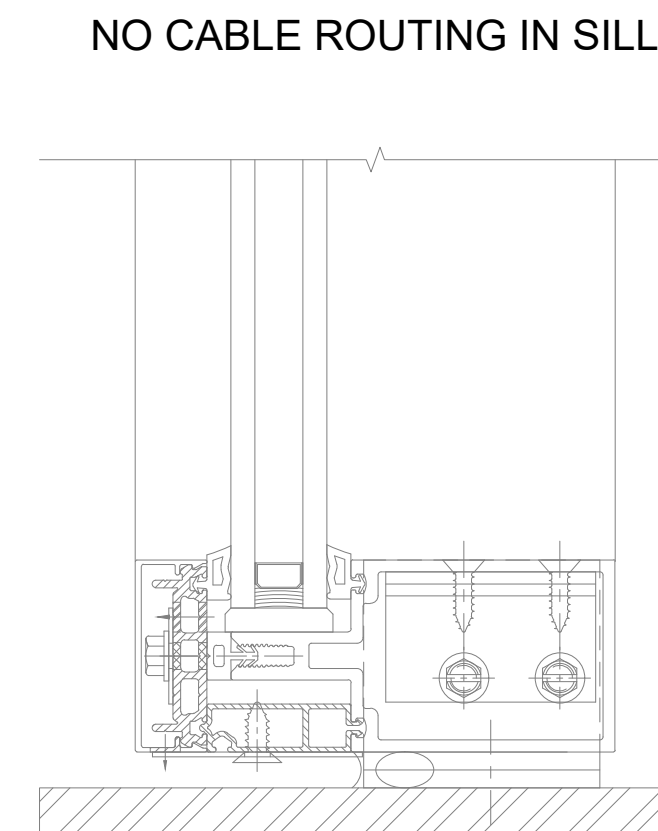
**DETAIL 2**  
HORIZONTAL MULLION



CABLE FROM HORIZONTAL

MIN. 7/16" DIA. HOLE FOR IGU CABLE TO FILE ALL EDGES SMOOTH. INSTALL SILICONE GROMMET, BACKFILL WITH SILICONE SEALANT.

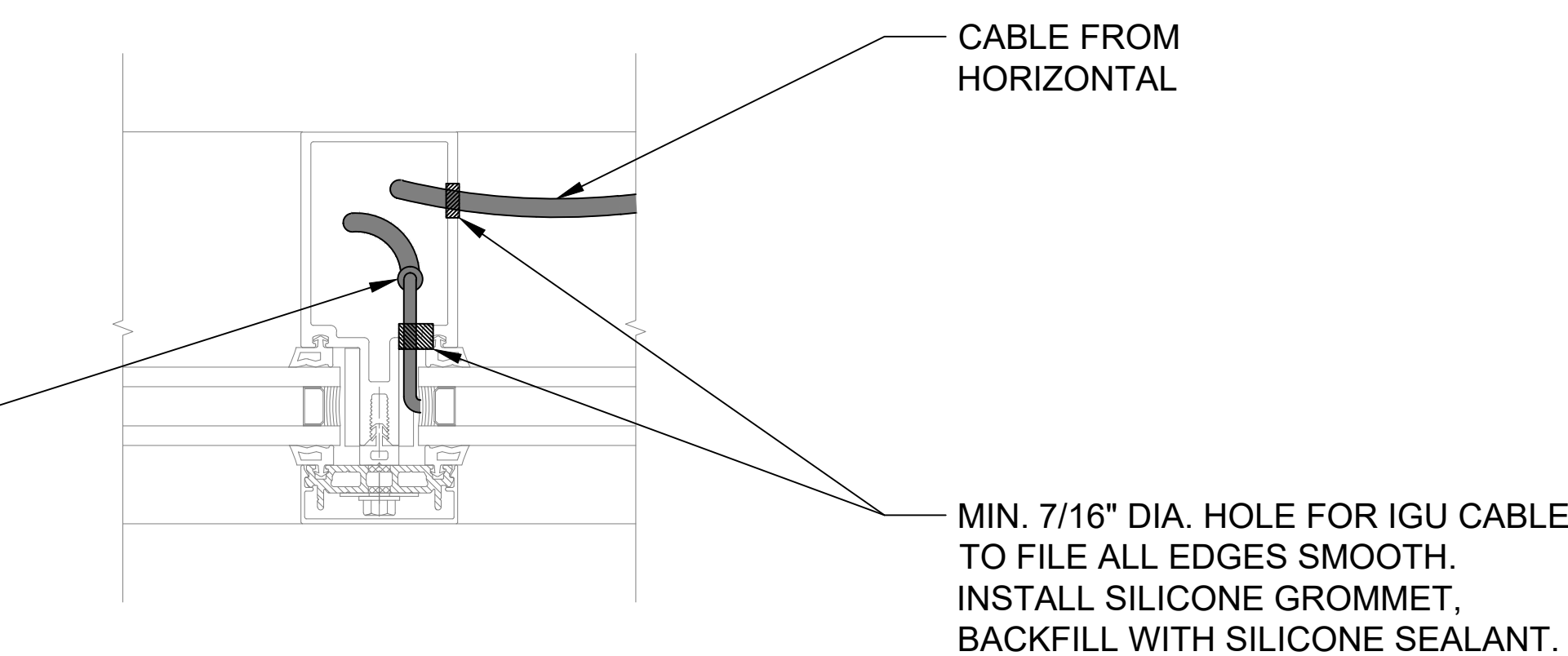
**DETAIL 4**  
LEFT JAMB



NO CABLE ROUTING IN SILL

**DETAIL 3**  
SILL

IGU CABLE CONNECTION TO IGU SWC IN VERTICAL MULLION. SERVICE LOOP TO BE INSTALLED FOR RE-GLAZING.

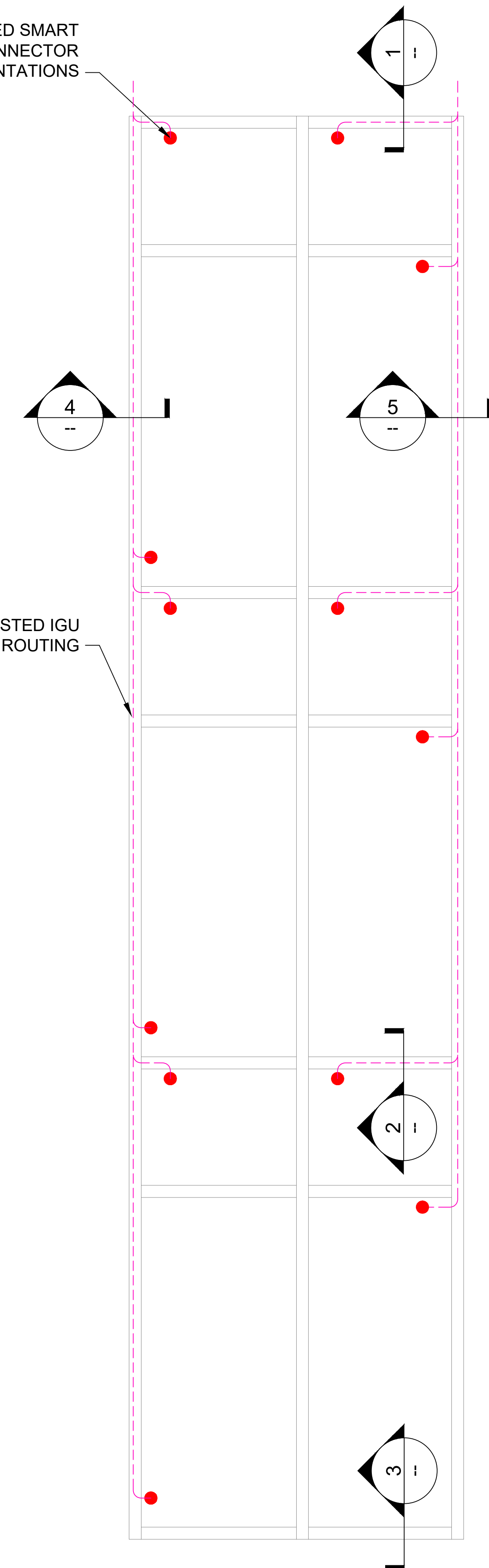


CABLE FROM HORIZONTAL

MIN. 7/16" DIA. HOLE FOR IGU CABLE TO FILE ALL EDGES SMOOTH. INSTALL SILICONE GROMMET, BACKFILL WITH SILICONE SEALANT.

**DETAIL 5**  
VERTICAL MULLION

SUGGESTED SMART WINDOW CONNECTOR (SWC) ORIENTATIONS



SUGGESTED IGU CABLE ROUTING

**TYPICAL ELEVATION**  
SCALE: NONE

**1 INSTALLATION DETAILS: FOR YCW 752 OGP - CW**